

# INDUSTRIAL - ENVIRONMENTALLY SEALED SWITCHES

## Series - 8530, 8531, 8532

## Econoswitch Sealed Toggle Switches

FEATURES	SPECIFICATIONS	CURRENT RATINGS								
<ul style="list-style-type: none"> <li>Environmentally sealed</li> <li>1, 2 and 4 pole Circuitry</li> <li>One hole mounting for easy installation</li> <li>Multi-circuits</li> <li>2 &amp; 3 position with maintained and momentary action</li> <li>Three types of termination offered as standard</li> </ul>	<ul style="list-style-type: none"> <li>Watertight seal per MIL-STD-108E and designed to meet IP68</li> <li>UL recognized and CSA certified</li> <li>Three standard types of terminals:                             <ul style="list-style-type: none"> <li>Screw 6-32 UNC-2A</li> <li>Solder lug .125 [3,17] dia. hole</li> <li>Spade .250 [6,35] x .032 [0,81] thick</li> </ul> </li> <li>Life: 50,000 operations at rated load. 100,000 operations mechanical life.</li> <li>Temperature Range: -50°F to +150°F (-46°C to + 66°C)</li> </ul>	28VDC			115VAC 60 or 400Hz					
		No. of Poles	Catalog Number	Type of Operation	Lamp Load	Resistive Load	Inductive Load	Lamp Load	Resistive Load	Inductive Load
		1	8530	Maintained	5	20	15	3	15	10
				Momentary	4	15	10	2	11	7
	2	8531	Maintained	7	20	15	4	15	15	
		Momentary	5	18	10	2	11	8		
	4	8532	Maintained	5	20	12	4	15	15	
		Momentary	4	18	10	2	11	8		

For the UL/CSA ratings, see page A37.

### STANDARD LEVER SELECTION TABLE

			CIRCUIT WITH LEVER IN . . .			CATALOG NUMBER		
			Up Position	Center Position	Down Position (Keyway)			
						Screw Terminals	Solder Lug Terminals	Spade Terminals
ONE POLE								
8530		ON	OFF	ON	8530K1	8530K91	8530K31	
		ON	NONE	OFF	K9	K99	K39	
		ON	NONE	ON	K4	K94	K34	
		ON	OFF	NONE	K6	K96	K36	
		ON	OFF*	NONE	K8	K98	K38	
		ON	NONE	ON*	8530K5	8530K95	8530K35	
		ON*	OFF	ON*	K2	K92	K32	
		NONE	OFF	ON*	K7	K97	K37	
		ON	NONE	OFF*	K10	K910	K310	
		OFF	NONE	ON*	K11	K911	K311	
		ON	OFF	ON*	8530K3	8530K93	8530K33	
		ON*	ON	NONE	K12	K912	K312	
ON	ON	NONE	K13	K913	K313			
TWO POLE								
8531		ON	OFF	ON	8531K1	8531K91	8531K31	
		ON	NONE	OFF	K9	K99	K39	
		ON	NONE	ON	K4	K94	K34	
		ON	OFF	NONE	K6	K96	K36	
		ON	OFF*	NONE	K8	K98	K38	
		ON	NONE	ON*	8531K5	8531K95	8531K35	
		ON*	OFF	ON*	K2	K92	K32	
		NONE	OFF	ON*	K7	K97	K37	
		ON	NONE	OFF*	K10	K910	K310	
		OFF	NONE	ON*	K11	K911	K311	
		ON	OFF	ON*	8531K3	8531K93	8531K33	
		ON*	ON	NONE	K12	K912	K312	
		ON	ON	NONE	K13	K913	K313	
		ON	ON	ON	K14	K914	K314	
		ON	ON	ON*	K15	K915	K315	
		ON*	ON	ON*	8531K16	8531K916	8531K316	
		ON	ON	ON	K17	K917	K317	
		ON	ON	ON*	K18	K918	K318	
		ON*	ON	ON*	K19	K919	K319	
FOUR POLE								
8532		ON	OFF	ON	8532K1	8532K91	8532K31	
		ON	NONE	OFF	K9	K99	K39	
		ON	NONE	ON	K4	K94	K34	
		ON	OFF	NONE	K6	K96	K36	
		ON	OFF*	NONE	K8	K98	K38	
		ON	NONE	ON*	8532K5	8532K95	8532K35	
		* ON	OFF	ON*	K2	K92	K32	
		NONE	OFF	ON*	K7	K97	K37	
		ON	NONE	OFF*	K10	K910	K310	
		OFF	NONE	ON*	K11	K911	K311	
		ON	OFF	ON*	8532K3	8532K93	8532K33	
		* ON	ON	NONE	K12	K912	K312	
		ON	ON	NONE	K13	K913	K313	
		ON	ON	ON	K15	K915	K315	
		ON	ON	ON*	K16	K916	K316	
		* ON	ON	ON*	K17	K917	K317	

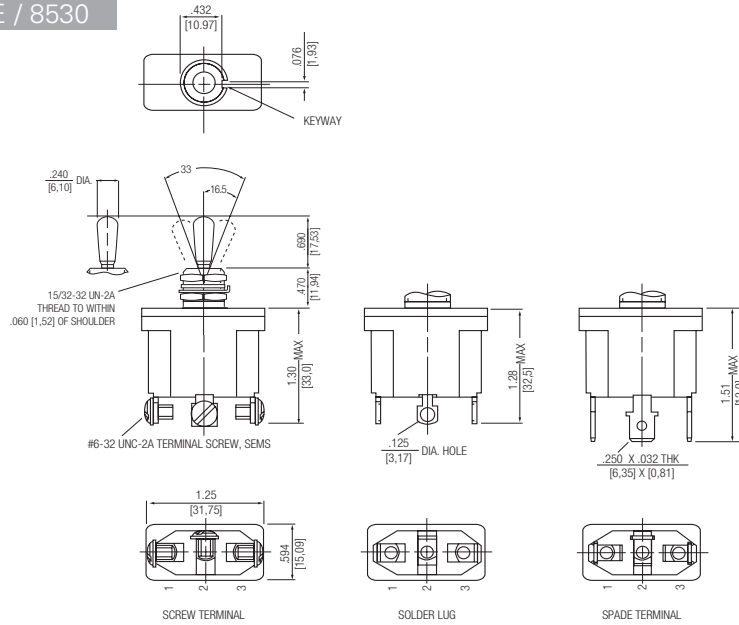
\* Momentary contact.

# ECONOSWITCH - ENVIRONMENTALLY SEALED SWITCHES

Series - 8530, 8531, 8532

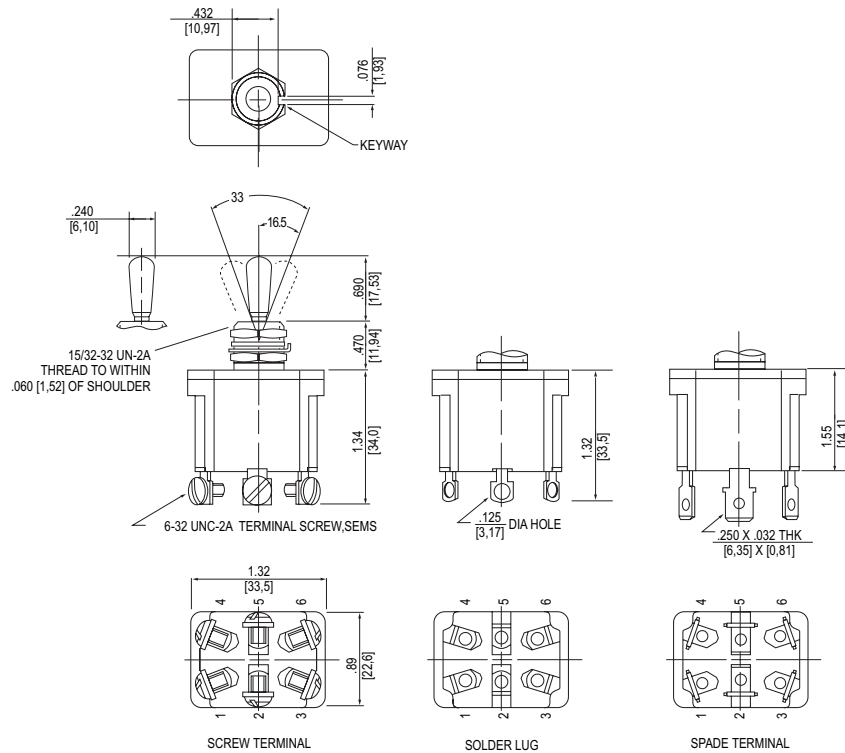
Econoswitch Sealed Toggle Switches

## MOUNTING DIMENSIONS - ONE POLE / 8530



Non-functional terminals not supplied.

## MOUNTING DIMENSIONS - TWO POLE / 8531



Non-functional terminals not supplied.

STANDARD  
0.00 = inches  
[0,0] = mm

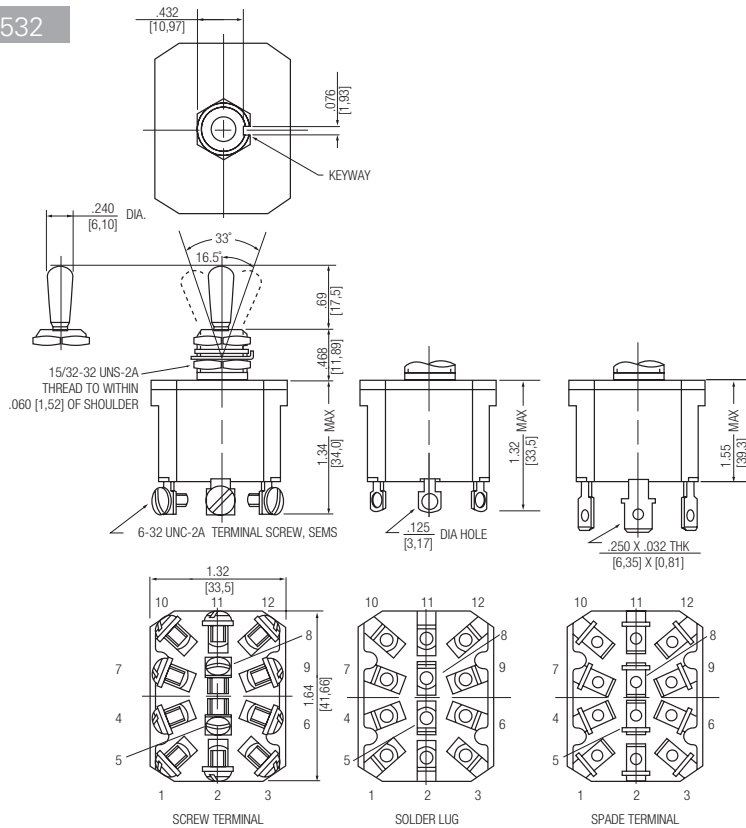
Mounting dimensions for reference only.

# ECONOSWITCH - ENVIRONMENTALLY SEALED SWITCHES

Series - 8530, 8531, 8532

Econoswitch Sealed Toggle Switches

## MOUNTING DIMENSIONS - FOUR POLE/ 8532

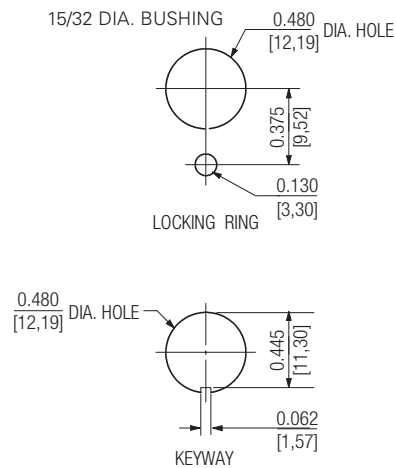


Non-functional terminals not supplied.

## OPTIONS/ACCESSORIES

- Special mounting hardware
- Mounting hardware furnished assembled
- Terminal screws furnished assembled
- Special circuits
- Panel seal, Part Number 32-341
- Custom wire harnesses
- Mating connector available for two poles with spade terminal
- External jumpers available
  - bussing jumper
  - reversing jumpers

## PANEL CUTOUT DIMENSIONS



STANDARD  
0.00 = inches  
[0,0] = mm

Mounting dimensions for reference only.

# NOMINAL RATINGS AND CIRCUIT DIAGRAMS

## UL AND CSA NOMINAL RATINGS

Catalog Number	Amperes		Maximum Horsepower		
			1 Phase		3 Phase
	125VAC	250VAC	125VAC	250VAC	125/250VAC
8520K1, K4, K9	18	9	1/4	1/2	—
8521K1, K4, K9	18	9	1/2	1	—
8522K1, K4, K9	18	9	1/2	1	1
8526K2, K3, K5	18	9	—	—	—
8527K2, K3, K5	18	9	—	—	—
8528K2, K3, K5	18	9	—	—	—
8530K1-13,K31-313,K91-913	18	9	1/4	1/2	—
8531K1-16,K31-316,K91-916	18	9	1/2	1	—
8532K1-17,K31-317,K91-917	18	9	1/2	1	1
8533K1-13,K31-313,K91-913	18	9	1/4	1/2	—
8534K1-13,K31-316,K91-916	18	9	1/2	1	—
8535K1-17,K31-317,K91-917	18	9	1/2	1	1
8536K1-13,K31-313,K91-913	18	9	1/4	1/2	—
8537K1-16,K31-316,K91-916	18	9	1/2	1	—
8538K1-17,K31-317,K91-917	18	9	1/2	1	1